

ST1000 Electro-Pneumatic Positioner

NUTORK®

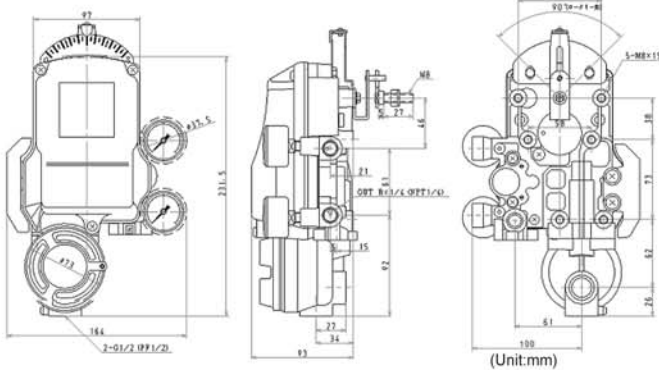
Ordering Code: Rotary Type, ST-1000R □□□□□□□□

Model	Acting Type	Ex-Proof Enclosure	Lever Type	Air Connection	Electric Connection	Ambient Temp.	Option
ST-1000R	① Single Acting	① ExIIBT6	① Namur	① RC	① G	① -20~83°C	① NONE
	② Double Acting	② EEExIICT4	② The Other	② NPT	② NPT	② -50~60°C	② +PTM (4-20mADC)
		③ EEExIICT5		③ The Other	③ The Other	③ 0~100°C	③ +LS(2xSPDT)
		④ EEExIICT6				④ -20~60°C	④ +AFR (Integral Mounted Air Set)
		⑤ Weather-Proof(IP65)				⑤ -40~50°C	
					⑥ -40~65°C		

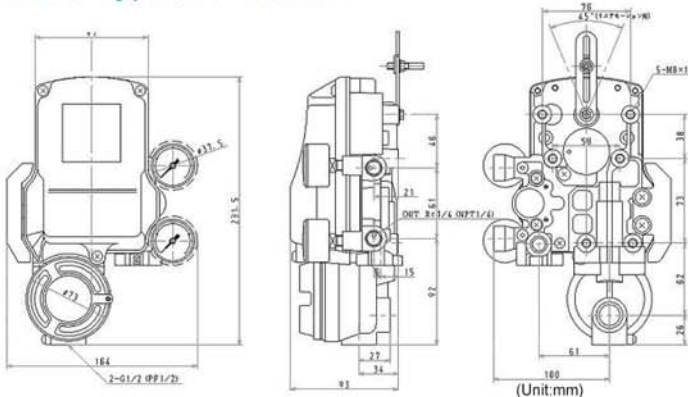
Ordering Code: Linear Type, ST-1000L □□□□□□□□

Model	Acting Type	Ex-Proof Enclosure	Lever Type	Air Connection	Electric Connection	Ambient Temp.	Option
ST-1000L	① Single Acting	① ExIIBT6	① 10 ~ 60mm	① RC	① G	① -20~83°C	① NONE
	② Double Acting	② EEExIICT4	② The Other	② NPT	② NPT	② -50~60°C	② +PTM (4-20mADC)
		③ EEExIICT5		③ The Other	③ The Other	③ 0~100°C	③ +LS(2xSPDT)
		④ EEExIICT6				④ -20~60°C	④ +AFR (Integral Mounted Air Set)
		⑤ Weather-Proof(IP65)				⑤ -40~50°C	
					⑥ -40~65°C		

Rotary Type, ST-1000R



Linear Type, ST-1000L



Specification

Item	Type	Single	Double Acting
Input Signal		4~20mADC(1/2 split range available)	
Supply Pressure		0.14~0.7Mpa(140~700kPa)	
Stroke		Linear Motion:10~60mm	
		Rotary Motion:60~90dig	
Air Conn.		1/4"Rc(NPT)	
Gauge Conn.		1/8"NPT	
Electric Conn.		1/2"G(NPT)	
Explosion Proof		ExIIBT6	
		EEExIICT4	
		EEExIICT5	
Protection		IP65	
	Amb. Temp.	-20 C ~83 C	
Linearity		±1.5%F.S	
Hysteresis		±1.0%F.S.	
Sensitivity		±0.2%	
Repeatability		±0.3% F.S.	
Air Consumption(at output pressure of 50%)		6 NI/min (at supply pressure of 0.14Mpa)	15 NI/min(at supply pressure of 0.4Mpa)"
	Max.Flow Capacity	100 NI/min./0.14MPa	200 NI/min./0.4MPa
Material		Aluminium Diecasting	
Weight		2.2Kgs	2.3Kgs

Note: Please specify the thread type of air & electric conn. Upon order.



Integral Mounted Air Set

Features

- Compact and Light Weight
 - Cam can be removed with the lever attached
 - Easy split range response
 - Superior Anti-vibration feature.
 - Easy zero-span adjustment
 - Easy Maintenance and checking
 - Valve Open signal function included (optional)
- The Valve open signal function (2-wire-type 4~20mA analog output) enables observation and measurement of the valve's open status and its behaviour.

NUTORK Corp.

No.10 Lane 899, Zhuguang Road, Qingpu Area, Shanghai, China
 TEL:+86-21-5988-7103 / 5988-8463 / 5988-8436
 FAX:+86-21-5988-7203
 E-mail: nutork@nutork.com