

NUTORK®

Actuators & Valves



NSF系列拨叉式气缸/液压缸 NSF Series Scotch Yoke Type Pneumatic & Hydraulic Actuator



单作动型气缸
Pneumatic Actuator
Single Acting Type

双作动型气缸
Pneumatic Actuator
Double Acting Type



单作动型液压缸
Hydraulic Actuator
Single Acting Type



NUTORK CORPORATION

产品特性 Advantages

防水保护 Water Ingress Protected

箱体、箱盖等处装有O形圈，阻止外界的水分进入驱动装置内
O-Rings are fitted on bodies, caps and so on, this ensure water ingress protected.

ISO 标准连接尺寸 ISO Valve Mounting

NSF系列驱动装置与阀门的连接尺寸在每一扭矩范围均符合ISO标准的要求

The NSF Series actuators interface meets ISO standard, and meets the dimensional requirements of ISO defined for each torque range.

标准化的附件安装尺寸 Standardization

所有NSF系列驱动装置顶部输出附属连接均符合NAMUR标准，方便标准的电器附件安装操作

The shaft driven accessory interface conforms to NAMUR and is identical on all NSF Series models, allowing standardization of accessory mounting hardware and installation practices.

耐磨 Wear Resistant

经过优良表面处理的活塞杆及导向杆与自润滑的轴承组合，保证优良的耐磨性，延长所有滑动零件的使用寿命。

The guide rod and piston rod have an advanced surface treatment, which combined with self-lubricating bearings, provides superior wear resistance and extends the life of all sliding components.

传动效率高 High Efficiency

经过精磨的活塞杆、导向杆以及自润滑的轴承保证最大限度地将输入的动力传递给阀门，大大提高传动效率，同时使得活塞杆的径向载荷最小。

The piston rod and guide block connection superior surface finishes and self-lubricating bearings maximize input energy transfer directly to the valve stem, efficiency is further enhanced by the tension-loaded spring, minimizing radial loads on the piston rod.



防腐蚀 Corrosion Resistant

NSF系列驱动装置喷涂了3层以上的防护涂层，满足了石化等环境的要求，气缸内表面喷涂有聚四氟乙烯涂层增加防腐蚀和自润滑性。

The NSF series actuators incorporate over three stages of internal and external coatings to resist severe weather, chemical and petroleum environments. The inner surface of cylinder is coated by PTFE, enhanced corrosion resistant and self-lubricating

模块设计 Modular Design

NSF系列驱动装置由传动、气缸、弹簧和侧面附属装置几个模块构成，这些模块在安装时方便拆装、更换和稳固。为了减少库存，各模块可以分别采购。

NSF series actuators have available, field-serviceable drive, power, spring and override modules, the modules are removable, serviceable and interchangeable when mounted to the valve. Modules are available for separated purchase to reduce spare parts inventory

安全弹簧模块 Safe Spring Module

为保证在安装和维护弹簧模块时操作者的安全，弹簧模块只能整体沿气缸模块轴线从驱动装置移出，避免弹簧力对人身和驱动装置的伤害。

To ensure the safety of personnel during installation and maintenance, the spring module has been designed so that it can only be removed from the power module with the spring in the fully extended position. This prevents accidental release of the spring force, protecting personnel from injury and the actuator from accidental damage.



应用 General Application

输出扭矩 Torque Outputs(guaranteed)

双动作 Double acting : 302~363,894Nm

弹簧复位 Spring return acting : 118~71,764Nm

操作压力 Operating Pressures

气动 Pneumatic : 3~7 Bar

液动 Hydraulic : 70/100/135Bar (其他液压压力也可提供)

温度 Operating Temperatures:

标准 Standard : -20°C~80°C

低温 Low Temperature : -40°C~80°C

高温 High Temperature : -20°C~150°C

结构特点 Design Features Offer Unique Benefits

1 弹簧安全 Safe Spring Lock

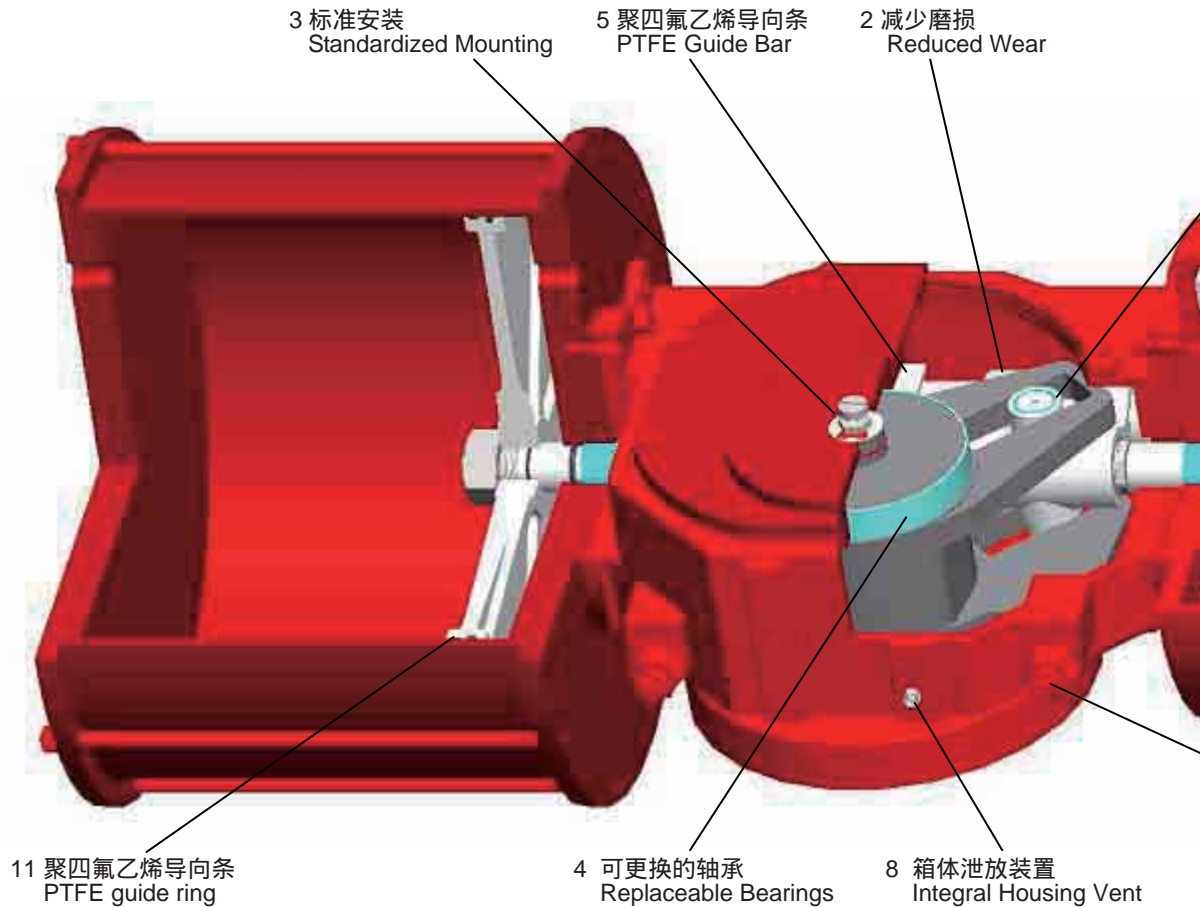
压缩后牢固封闭的弹簧模块，阻止弹簧模块从箱体处脱离

Positively locks the spring module in place under load. This prevents spring module detachment from the drive module.

2 减少磨损 Reduced Wear

活塞杆在导向杆的导向杆的支撑下，抵消了活塞的侧向载货，减少活塞杆、轴承和密封件的磨损。

Connects the piston rod with the guide block, compensating for side load deflection and reducing wear on rod, bearings and seals.



3 标准安装 Standardized Mounting

采用NAMUR标准安装结构，适用多种标准化的附件安装。

The NAMUR mounting configuration allows standardization of mounting hardware for a wide range of shaft driven accessories.

4 可更换的轴承 Replaceable Bearings

可更换的轴承不论在干燥的还是润滑条件下对滑动和旋转部件进行保护

Replaceable bearings protect sliding and rotating components, with suitability for either dry or lubricated working conditions.

5 聚四氟乙烯导向条 PTFE Guide Bar

聚四氟乙烯条阻止的销轴的轴向移动将轴向载荷传递给驱动模块。

PTFE thrust bar prevents yoke pin axial movement, transferring axial loads directly to the drive module case.

6 弹簧模块用液压手动装置

Hydraulic Overrides For Spring Module

弹簧复位内藏式液压手动装置不需要增加驱动装置的长度
Inside hydraulic override cylinder module for spring-return models doesn't increase actuator length.

7 起吊方便 Easy Lifting

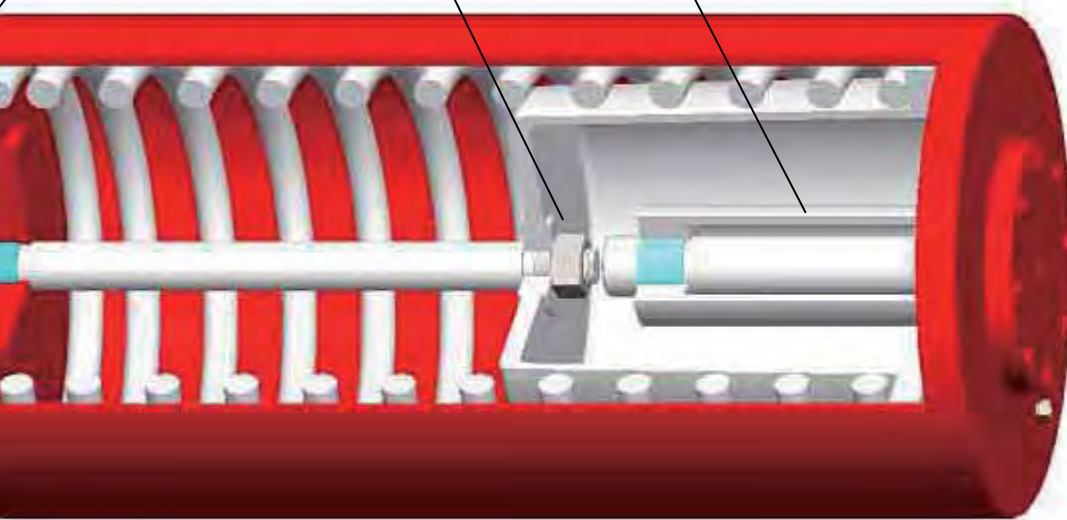
NSF25及以上规格的驱动装置箱体上设置有4个吊装孔确保在运输、安装、移动中的安全

NSF25 and larger models equipped with four lifting eyes for safe actuator handling during shipping installation and removal.

10 滚套
Roller

1 弹簧安全锁定
Safe Spring Lock

6 弹簧模块用液压手动装置
Hydraulic Overrides For Spring Module



9 80° to 100° 可调
80° to 100° Travel Adjustment

8 箱体泄放装置

Integral Housing Vent

驱动装置的箱体上安装有检测阀用来泄放箱体内的压力同时阻止外界的异物或水进入驱动装置内。

The main actuator housing incorporates an integral check valve in order to release overpressure while preventing ingress of foreign object or water

9 行程80° ~100° 可调

80° to 100° Travel Adjustment

双向行程限位装置，满足驱动装置在80°~100°范围内可调。

Bi-directional travel stops integral to the actuator, the stops allow 80° to 100° total travel adjustment.

10 滚套 Roller

拨叉和销轴之间通过滚套连接，减少销轴和拨叉之间的摩擦以及拨叉和销轴的磨损。

Rollers be used, reducing the friction between the yoke arm and pin, minimizing the wear of yoke arm and pin.

11 聚四氟乙烯导向环 PTFE Guide Ring

聚四氟乙烯导向环，避免活塞和气缸的金属面接触，气缸免受活塞划伤。

Guide ring, made of PTFE, preventing metal to metal contact with the cylinder bore, project the cylinder not be scratched by pistons.

多功能模块 Modular Versatility

气缸模块
Pneumatic
Power
Module



液动或双动作
液压手动模块
Hydraulic
Power
Module or
Override
for Hydraulic
Actuators Module



带开度限位装置气缸模块
Pneumatic Power Module
with Extended Travel Stops



封盖
Blind End Cap

弹簧模块
Spring Module



带液压手动装置
弹簧模块
Spring Module
with Integral
Override Hydraulic
Cylinder



气缸模块
Pneumatic Power
Module



液动或双动作
液压手动模块
Hydraulic Power
Module or Override
for Hydraulic
Actuators Module



齿轮手动装置
Manual Gear
Override

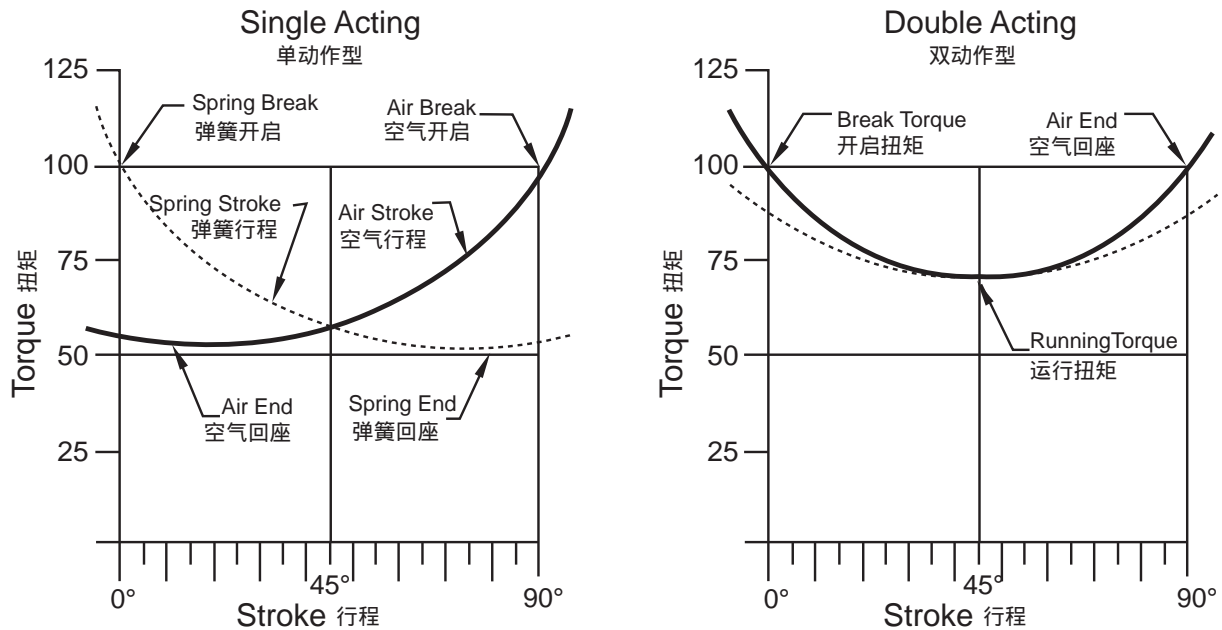


扭矩测试 Torque Tester

我公司研发的数显式扭矩测试台，能够精确地对驱动装置的输出扭矩进行测试，因此NSF系列驱动装置可以提供整个运行过程中的实测输出扭矩表。

We have developed a unique digital Torque Tester which enables us to accurately measure an actuator's torque output, thus NSF Series actuators can be supplied with a torque sheet, which details actual torque output throughout the actuator's travel range.

扭矩特性 Torque Characteristics



扭矩表 - - 双作动 (气缸)

Torque Table - Double Acting (Pneumatic Actuators)

Unit:Nm

型号 Model	传动模块最大 允许扭矩 Max Torque of Drive Module	Air pressure 气源压力									
		3bar		4bar		5bar		6bar		7bar	
		Start End	Run	Start End	Run	Start End	Run	Start End	Run	Start End	Run
NSF10-150-DA	500	302	181	402	242	503	302	604	363	----	----
NSF10-170-DA		391	247	522	313	652	391	----	----	----	----
NSF12-170-DA	1000	489	292	652	390	815	487	978	585	1141	683
NSF12-200-DA		681	408	908	545	1135	681	1362	817	1589	954
NSF14-200-DA	2000	830	504	1107	672	1384	839	1660	1007	1937	1175
NSF14-250-DA		1298	787	1730	1049	2163	1312	----	----	----	----
NSF14-300-DA		1861	1129	----	----	----	----	----	----	----	----
NSF16-250-DA	4000	1622	984	2163	1312	2704	1640	3245	1968	3786	2296
NSF16-300-DA		2336	1417	3115	1889	3894	2362	----	----	----	----
NSF16-350-DA		3180	1929	4240	2572	----	----	----	----	----	----
NSF25-350-DA	8000	3926	2381	5235	3175	6543	3969	7852	4763	----	----
NSF25-400-DA		4984	3023	6646	4031	8307	5039	----	----	----	----
NSF25-450-DA		6309	3827	8412	5103	----	----	----	----	----	----
NSF30-450-DA	16000	7710	4677	10280	6236	12850	7795	15420	9354	----	----
NSF30-500-DA		9519	5774	12693	7700	15866	9625	----	----	----	----
NSF30-550-DA		11519	6988	15359	9317	----	----	----	----	----	----
NSF35-550-DA	32000	14660	8893	19547	11858	24433	14822	29320	17787	34207	20752
NSF35-600-DA		17447	10584	23263	14112	29078	17640	34894	21169	----	----
NSF35-700-DA		23748	14407	31664	19209	----	----	----	----	----	----
NSF40-600-DA	63000	----	----	----	----	35310	21421	42373	25706	49435	29990
NSF40-700-DA		----	----	38449	23325	48062	29157	57674	34988	67286	40820
NSF40-800-DA		37664	30275	50219	40366	62774	50458	----	----	----	----
NSF48-800-DA	125000	----	----	----	----	73852	44803	88623	53764	103393	62725
NSF48-900-DA		----	----	74775	45363	93468	56703	112162	68044	130856	79385
NSF48-1000-DA		69237	42003	92316	56005	115395	70006	----	----	----	----
NSF60-800-DA	250000	----	----	----	----	----	----	119641	72582	139581	84679
NSF60-900-DA		----	----	100947	61241	126183	76551	151420	91861	176657	107171
NSF60-1000-DA		93469	56704	124626	75606	155782	94507	186939	113409	218095	132310
NSF60-1100-DA		113097	68612	150797	91483	188496	114354	226195	137229	263894	160095

扭矩表 (气缸) Torque Sheet (Pneumatic Actuators)

Spring Return Acting (SR3 3Bar Spring for Air Pressure at 3Bar) 弹簧复位型 (气源压力3Bar用弹簧)

Nm

Model	Max Torque of Drive Module	Spring Start	Spring Running	Spring End	Air Start	Air Running	Air End
NSF10-150-SR3	500	187	91	118	183	89	115
NSF10-170-SR3		230	115	153	237	119	161
NSF12-170-SR3	1000	285	140	183	305	152	203
NSF12-200-SR3		384	189	246	434	219	297
NSF14-200-SR3	2000	511	254	307	523	261	318
NSF14-250-SR3		789	402	506	791	403	508
NSF14-300-SR3		1079	543	674	1194	615	790
NSF16-250-SR3	4000	1092	508	607	1014	498	529
NSF16-300-SR3		1434	721	892	1444	727	902
NSF16-350-SR3		1896	968	1227	1953	1038	1283
NSF25-350-SR3	8000	2249	1153	1470	2346	1255	1567
NSF25-400-SR3		2996	1516	1895	3089	1574	1903
NSF25-450-SR3		3960	2013	2534	3774	1898	2348
NSF30-450-SR3	16000	4786	2379	2889	4821	2401	2924
NSF30-500-SR3		6044	2969	3535	5984	2932	3475
NSF30-550-SR3		6867	3477	4349	7169	3664	4651
NSF35-550-SR3	32000	9180	4520	5400	9260	4569	5480
NSF35-600-SR3		11016	5392	6378	11069	5425	6430
NSF35-700-SR3		14449	7240	8907	14840	7483	9298
NSF40-600-SR3	63000	13131	6586	8114	13071	6549	8054
NSF40-700-SR3		16359	8256	10272	18564	9623	12477
NSF40-800-SR3		21426	10879	13666	23998	12460	16238
NSF48-800-SR3	125000	26619	13330	16381	27930	14142	17691
NSF48-900-SR3		33844	16948	20827	35254	17822	22237
NSF48-1000-SR3		45789	23215	29097	40140	19712	23447
NSF60-800-SR3	250000	36800	18478	22805	35799	18379	21805
NSF60-900-SR3		47118	23238	27842	47867	23702	28592
NSF60-1000-SR3		63398	31514	28261	55207	26436	30071
NSF60-1100-SR3		78878	34854	49217	63881	35266	34219

Spring Return Acting (SR4 4Bar Spring for Air Pressure at 4Bar) 弹簧复位型 (气源压力4Bar用弹簧)

Nm

Model	Max Torque of Drive Module	Spring Start	Spring Running	Spring End	Air Start	Air Running	Air End
NSF10-150-SR4	500	230	115	153	250	127	173
NSF10-170-SR4		293	148	201	320	164	228
NSF12-170-SR4	1000	384	189	246	405	202	268
NSF12-200-SR4		560	278	367	541	267	348
NSF14-200-SR4	2000	679	346	436	671	341	428
NSF14-250-SR4		1079	543	674	1056	530	651
NSF14-300-SR4		1477	752	948	1544	793	1015
NSF16-250-SR4	4000	1281	651	818	1345	691	882
NSF16-300-SR4		1896	968	1227	1888	963	1219
NSF16-350-SR4		2595	1319	1629	2611	1327	1645
NSF25-350-SR4	8000	2996	1517	1895	3193	1706	2092
NSF25-400-SR4		3960	2013	2534	4112	2107	2686
NSF25-450-SR4		4955	2466	2999	5412	2749	3456
NSF30-450-SR4	16000	6329	3146	3820	6461	3228	3952
NSF30-500-SR4		7929	3967	4869	7824	3902	4763
NSF30-550-SR4		9375	4814	5824	9534	4708	5983
NSF35-550-SR4	32000	12297	6131	7481	12066	5988	7250
NSF35-600-SR4		14449	7241	8907	14356	7183	8813
NSF35-700-SR4		19069	9491	11549	20114	10140	12594
NSF40-600-SR4	63000	16359	8926	10272	17976	8256	11888
NSF40-700-SR4		21426	10879	13666	24782	12960	17023
NSF40-800-SR4		30015	15120	18757	31461	16016	20203
NSF48-800-SR4	125000	33844	16948	20827	38254	19417	25237
NSF48-900-SR4		45789	23344	29097	45677	23146	28986
NSF48-1000-SR4		57348	28690	35200	57115	28546	34968
NSF60-800-SR4	250000	47118	23238	27842	51918	26214	32642
NSF60-900-SR4		63398	31514	38261	62685	31072	37548
NSF60-1000-SR4		78878	39048	49217	75409	38220	45747
NSF60-1100-SR4		95891	47761	58177	92620	45733	54906

扭矩表 (气缸) Torque Sheet (Pneumatic Actuators)

Spring Return Acting (SR5 5Bar Spring for Air Pressure at 5bar) 弹簧复位型 (气源压力5Bar用弹簧)

Nm

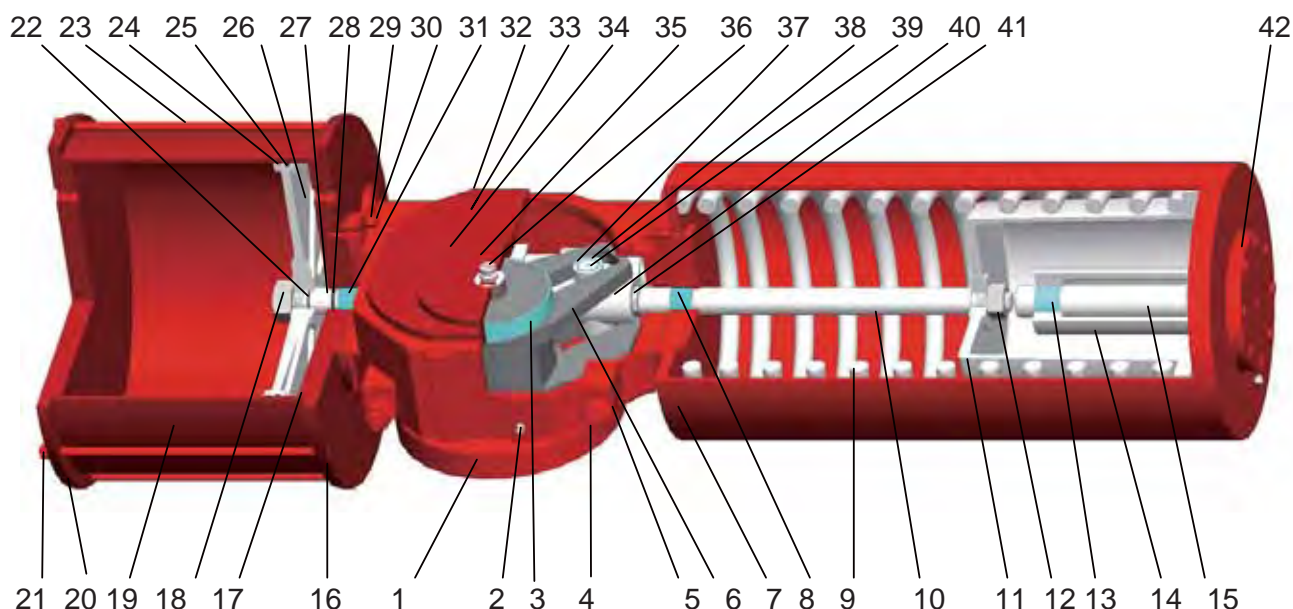
Model	Max Torque of Drive Module	Spring Start	Spring Running	Spring End	Air Start	Air Running	Air End
NSF10-150-SR5	500	293	148	201	303	154	211
NSF10-170-SR5		383	193	260	391	198	269
NSF12-170-SR5	1000	485	243	326	489	245	330
NSF12-200-SR5		692	343	453	682	337	442
NSF14-200-SR5	2000	789	402	506	877	456	594
NSF14-250-SR5		1345	670	815	1347	671	818
NSF14-300-SR5		1880	957	1206	1908	975	1235
NSF16-250-SR5	4000	1553	795	1011	1692	881	1150
NSF16-300-SR5		2421	1202	1455	2438	1213	1472
NSF16-350-SR5		3194	1637	2085	3215	1744	2106
NSF25-350-SR5	8000	3960	2013	2534	3826	2044	2400
NSF25-400-SR5		4955	2466	2999	5309	2685	3352
NSF25-450-SR5		6326	3117	3726	6788	3402	4188
NSF30-450-SR5	16000	7929	3968	4869	7892	4001	4922
NSF30-500-SR5		9375	4712	5824	10042	5125	6490
NSF30-550-SR5		11426	5741	7092	12106	6162	7772
NSF35-550-SR5	32000	14449	7241	8907	15527	7909	9984
NSF35-600-SR5		18185	8971	10752	18327	9058	10894
NSF35-700-SR5		23864	11772	14109	25470	12767	15715
NSF40-600-SR5	63000	21426	10879	13666	21644	11014	13884
NSF40-700-SR5		30015	15120	18757	29304	14679	18046
NSF40-800-SR5		35425	17702	21679	41095	21218	27349
NSF48-800-SR5	125000	45789	23214	29097	44755	22574	28063
NSF48-900-SR5		57348	28690	35200	58269	29261	36121
NSF48-1000-SR5		69602	34789	42618	72776	36756	45792
NSF60-800-SR5	250000	63398	31515	38261	61439	30300	36302
NSF60-900-SR5		78878	39710	49217	76967	38524	47305
NSF60-1000-SR5		95891	47761	58177	97605	48824	59891
NSF60-1100-SR5		112369	57081	71764	116733	59787	76127

Spring Return Acting (SR6 6Bar Spring for Air Pressure at 6bar) 弹簧复位型 (气源压力6Bar用弹簧)

Nm

Model	Max Torque of Drive Module	Spring Start	Spring Running	Spring End	Air Start	Air Running	Air End
NSF10-150-SR6	500	383	193	260	345	170	222
NSF10-170-SR6		489	242	319	463	227	293
NSF12-170-SR6	1000	560	278	367	611	309	418
NSF12-200-SR6		822	408	539	824	409	540
NSF14-200-SR6	2000	1028	512	623	1037	518	633
NSF14-250-SR6		1477	752	948	1648	857	1118
NSF14-300-SR6		2291	1162	1458	2280	1156	1447
NSF16-250-SR6	4000	1896	968	1227	2018	1043	1348
NSF16-300-SR6		2595	1310	1629	3044	1588	2077
NSF16-350-SR6		3858	1954	2446	3914	2102	2502
NSF25-350-SR6	8000	4955	2466	2999	4633	2403	2677
NSF25-400-SR6		6326	3117	3726	6243	3065	3643
NSF25-450-SR6		8261	4024	4720	7897	3799	4357
NSF30-450-SR6	16000	9375	4712	5824	9598	4850	6046
NSF30-500-SR6		11426	5741	7092	11962	6064	7613
NSF30-550-SR6		14080	6952	8344	14694	7332	8957
NSF35-550-SR6	32000	18185	8970	10752	18569	9209	11136
NSF35-600-SR6		22471	10908	12716	22179	10727	12424
NSF35-700-SR6		28953	14335	17288	30207	15112	18543
NSF40-600-SR6	63000	26630	13472	16828	25544	12799	15471
NSF40-700-SR6		35425	17702	21679	35995	18056	22248
NSF40-800-SR6		47742	23883	29300	46029	22821	28593
NSF48-800-SR6	125000	57348	28690	35200	53420	26257	31275
NSF48-900-SR6		69602	34788	42618	69545	34753	42561
NSF48-1000-SR6		82680	41743	51976	86497	42250	55793
NSF60-800-SR6	250000	78878	39710	49217	70724	34468	40762
NSF60-900-SR6		95891	47761	58177	93243	46119	55529
NSF60-1000-SR6		112369	57081	71764	115175	58821	74570
NSF60-1100-SR6		----	----	----	----	----	----

组装图 Assembly Drawing & Parts List (气缸 Pneumatic Actuators)



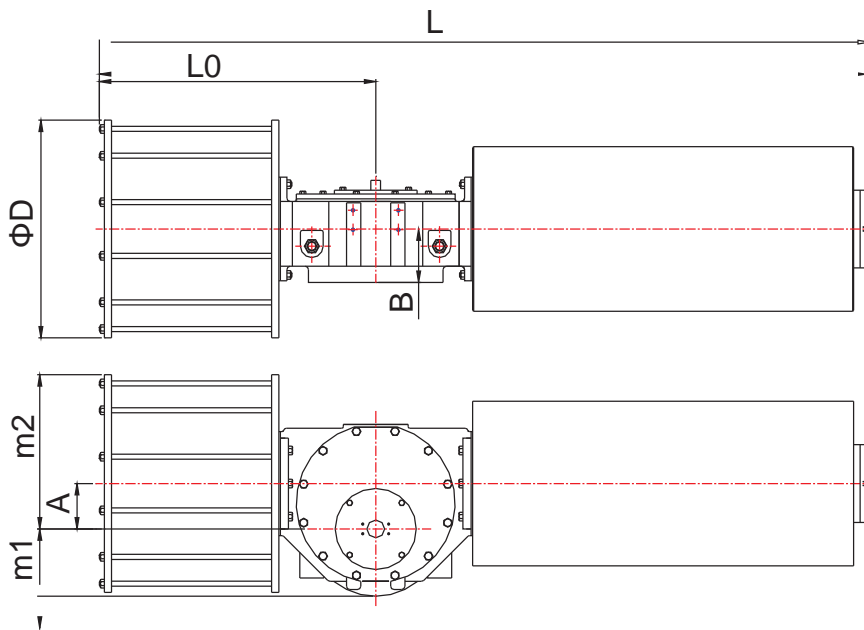
No.	零件名称 Name	材质 Material	No.	零件名称 Name	材质 Material
1	箱体 Body	球墨铸铁 Ductile Iron	22	O型圈 O-Ring	NBR NBR
2	泄放阀 Vent Valve	碳钢 Carbon Steel	23	螺柱 Screw	合金钢 Alloy Steel
3	滑动轴承 Sliding Bearing	金属衬TFE Metal + TFE	24	导向环 Guide Ring	PTFE PTFE
4	调节螺柱 Adjust Stud	合金钢 Alloy Steel	25	O型圈 O-Ring	NBR NBR
5	螺母 Nut	2H 2H	26	活塞 Piston	球墨铸铁 Ductile Iron
6	拨叉 Yoke	碳钢 Carbon Steel	27	活塞杆 Center Bar	合金钢 Alloy Steel
7	弹簧缸 Spring Case	碳钢 Carbon Steel	28	O型圈 O-Ring	NBR NBR
8	滑动轴承 Sliding Bearing	金属衬TFE Metal + TFE	29	双头螺柱 Stud	合金钢 Alloy Steel
9	弹簧 Spring	合金钢 Alloy Steel	30	螺母 Nut	2H 2H
10	拉杆 Tension rod	合金钢 Alloy Steel	31	滑动轴承 Sliding Bearing	金属衬TFE Metal + TFE
11	弹簧座 Spring Seat	碳钢 Carbon Steel	32	螺栓 Bolt	碳钢 Carbon Steel
12	螺母 Nut	2H 2H	33	箱盖 Body Cap	球墨铸铁 Ductile Iron
13	滑动轴承 Sliding Bearing	金属衬TFE Metal + TFE	34	螺栓 Bolt	碳钢 Carbon Steel
14	液压缸 Hydraulic Cylinder	碳钢 Carbon Steel	35	顶盖 Cover	球墨铸铁 Ductile Iron
15	液压活塞 Hydraulic Piston	碳钢 Carbon Steel	36	反馈轴 Drive Shaft	合金钢 Alloy Steel
16	隔板 Adapter	球墨铸铁 Ductile Iron	37	滚套 Roller	合金钢 Alloy Steel
17	O型圈 O-Ring	NBR NBR	38	滑动轴承 Sliding Bearing	金属衬TFE Metal + TFE
18	螺母 Nut	2H 2H	39	锁轴 Pin	合金钢 Alloy Steel
19	气缸 Cylinder	碳钢 Carbon Steel	40	导向块 Guide Block	球墨铸铁 Ductile Iron
20	端盖 End Cap	球墨铸铁 Ductile Iron	41	螺母 Nut	碳钢 Carbon Steel
21	螺母 Nut	2H	42	封盖 Cover Plate	碳钢 Carbon Steel

尺寸表 Dimension

弹簧复位型 Spring Return Acting

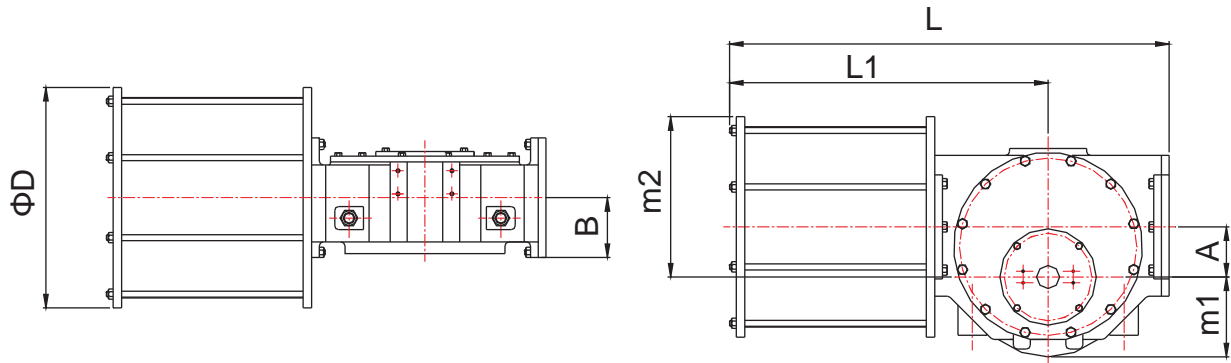
表中尺寸为弹簧范围4Bar的尺寸其
余范围尺寸请与我公司技术部门联系。

Dimensions in this sheet only for the
spring return actuators which spring
size is 4Bar, Others please contact
with our technology department.



型号 Model	连接法兰 Connect Flange	L	L0	m1	m2	A	B	D	进气口 Pressure Port	重量 Weight (kg)
NSF10-150-SR4	F10	800	335	75	143.5	40	82	207	3/8"	70
NSF10-170-SR4		800	335	75	155.5	40	82	231	3/8"	80
NSF12-170-SR4	F12	962	364	65	165	50	80	230	3/8"	79
NSF12-200-SR4		962	364	78	178	50	80	256	3/8"	93
NSF14-200-SR4	F14	1105	449	87.5	187.5	60	88	255	3/8"	117
NSF14-250-SR4		1105	449	87.5	212.5	60	88	305	1/2"	156
NSF14-300-SR4		1125	449	87.5	237.5	60	88	355	1/2"	182
NSF16-250-SR4	F16	1289	499	105	222.5	70	92	305	1/2"	184
NSF16-300-SR4		1289	499	105	247.5	70	92	355	1/2"	209
NSF16-350-SR4		1318	499	105	272.5	70	92	405	1/2"	268
NSF25-350-SR4	F25	1576	556	150	292.5	90	104	405	1/2"	316
NSF25-400-SR4		1576	556	150	317.5	90	104	455	3/4"	355
NSF25-450-SR4		1674	556	150	350	90	104	520	3/4"	386
NSF30-450-SR4	F30	1807	662	175	370	110	130	520	3/4"	534
NSF30-500-SR4		1807	662	175	395	110	130	570	3/4"	609
NSF30-550-SR4		1807	662	175	420	110	130	620	3/4"	758
NSF35-550-SR4	F35	2005	817	207.5	450	140	165	620	3/4"	997
NSF35-600-SR4		2005	817	207.5	450	140	165	670	1"	1102
NSF35-700-SR4		2005	817	207.5	475	140	165	770	1"	1310
NSF40-600-SR4	F40	2695	960	237.5	505	170	200	670	1"	1230
NSF40-700-SR4		2695	960	237.5	555	170	200	770	1"	1420
NSF40-800-SR4		2695	960	237.5	607.5	170	200	875	1.1/2"	1865
NSF48-800-SR4	F48	3395	1130	280	637.5	200	210	875	1.1/2"	2340
NSF48-900-SR4		3395	1130	280	687.5	200	210	975	2"	2816
NSF48-1000-SR4		3585	1130	280	787.5	200	210	1075	2"	3380
NSF60-800-SR4	F60	4185	1380	343	707.5	270	230	875	1.1/2"	3170
NSF60-900-SR4		4185	1380	343	757.5	270	230	975	2"	3718
NSF60-1000-SR4		4750	1380	343	807.5	270	230	1075	2"	4230
NSF60-1100-SR4		4750	1380	343	857.5	270	230	1175	2"	4940

尺寸表 Dimension- 双动作型 Double Acting (Pneumatic Actuators 气缸)



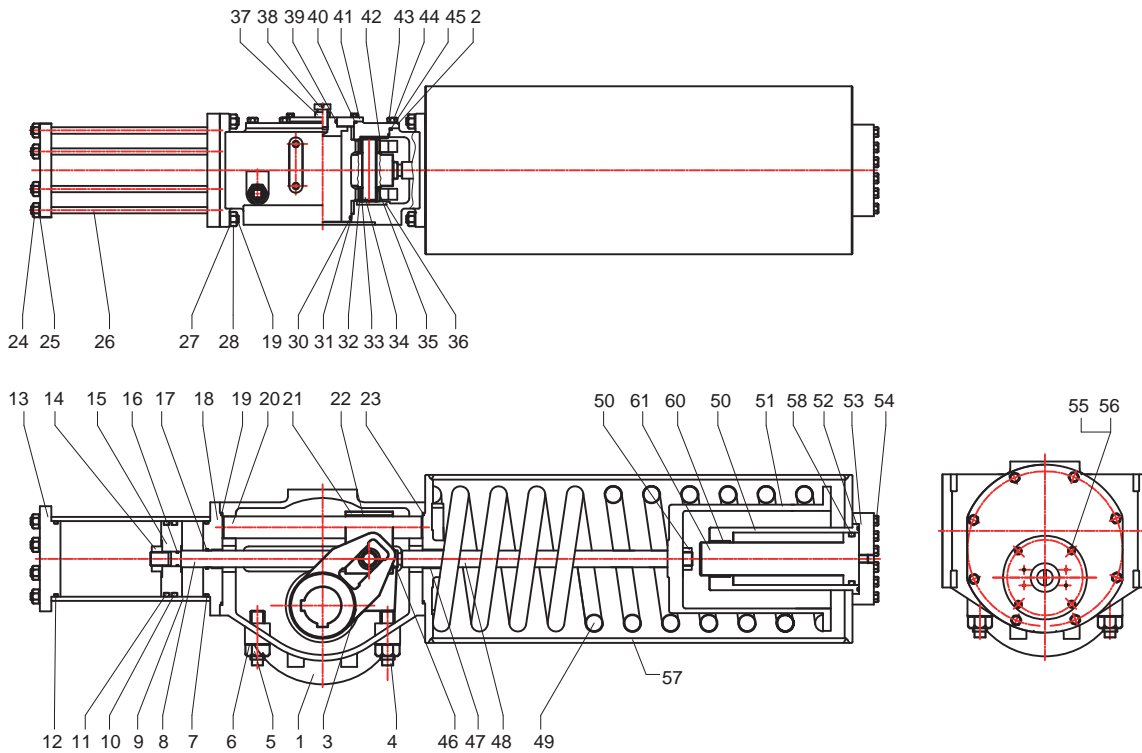
型号 Model	连接法兰 Connect Flange	L	L1	m1	m2	A	B	D	进气口 Pressure Port	重量 (kg)
NSF10-150-DA	F10	459	335	75	143.5	40	82	207	3/8"	39
NSF10-170-DA		459	335	75	155.5	40	82	231	3/8"	40
NSF12-170-DA	F12	499	364	73	165	50	80	230	3/8"	41
NSF12-200-DA		499	364	73	178	50	80	256	3/8"	48
NSF14-200-DA	F14	594	449	87.5	187.5	60	88	255	3/8"	57
NSF14-250-DA		594	449	87.5	212.5	60	88	305	1/2"	69
NSF14-300-DA		594	449	87.5	237.5	60	88	355	1/2"	87
NSF16-250-DA	F16	679	499	105	222.5	70	92	305	1/2"	89
NSF16-300-DA		679	499	105	247.5	70	92	355	1/2"	108
NSF16-350-DA		679	499	105	272.5	70	92	405	1/2"	129
NSF25-350-DA	F25	766	556	150	292.5	90	104	405	1/2"	158
NSF25-400-DA		766	556	150	317.5	90	104	455	3/4"	202
NSF25-450-DA		766	556	150	350	90	104	520	3/4"	223
NSF30-450-DA	F30	922	662	175	370	110	130	520	3/4"	285
NSF30-500-DA		922	662	175	395	110	130	570	3/4"	325
NSF30-550-DA		922	662	175	420	110	130	620	3/4"	351
NSF35-550-DA	F35	1130	817	207.5	450	140	165	620	3/4"	427
NSF35-600-DA		1130	817	207.5	450	140	165	670	1"	463
NSF35-700-DA		1130	817	207.5	475	140	165	770	1"	542
NSF40-600-DA	F40	1320	960	237.5	505	170	200	670	1"	636
NSF40-700-DA		1320	960	237.5	555	170	200	770	1"	723
NSF40-800-DA		1320	960	237.5	607.5	170	200	875	1.1/2"	842
NSF48-800-DA	F48	1580	1130	280	637.5	200	210	875	1.1/2"	1073
NSF48-900-DA		1580	1130	280	687.5	200	210	975	2"	1335
NSF48-1000-DA		1580	1130	280	787.5	200	210	1075	2"	1560
NSF60-800-DA	F60	1960	1380	343	707.5	270	230	875	1.1/2"	1685
NSF60-900-DA		1960	1380	343	757.5	270	230	975	2"	1970
NSF60-1000-DA		1960	1380	343	807.5	270	230	1075	2"	2210
NSF60-1100-DA		1960	1380	343	857.5	270	230	1175	2"	2510

Order Information

NSF30 — 500 — DA — 4 — 1 — HW — FC

- 1、气缸规格 Actuator Size : NSF10 ~ NSF60
- 2、缸径范围 Cylinder Size : 150 ~ 1100
- 3、动作形式 Actuator Type : DA - 双作用气缸 Double Acting Type
SR - 单作用气缸 Single Acting Type
- 4、弹簧范围 Spring Size : 3 - 3bar, 4 - 4bar, 5 - 5bar, 6 - 6bar
- 5、密封圈材料 Seal Material : 0 - NBR Seal
1 - HNBR Seal(低温 Low Temperature)
2 - Viton Seal(高温 High Temperature)
- 6、配件 Accessories : HW - 侧面手轮 Jack Screw Manual Override
EX - 开度限位装置 Extend Travel Stop
HY - 液压手动装置 Hydraulic Manual Override
- 7、气源故障位置 (单作用型) Failure Position(Single Acting Type Only) :
FC - 常闭 Failure Close, FO - 常开 Failure Open

Assembly Drawing & Parts List (Hydraulic Actuators)



No.	Name	Material	No.	Name	Material
1	Body/箱体	QT450-10	32	Roller/滚套	35CrMo
2	Body/End箱盖	QT450-10	33	Sliding Bearing/滑动轴承	Composite Bearing/复合轴承
3	Yoke/拨叉	QT450-10	34	Pin/销轴	35CrMo
4	Adjust Stud/调节螺柱	35CrMo	35	Thrust Bearing/止推轴承	PTFE
5	Nut/螺母	2H	36	Guide Ring/导向环	PTFE
6	Washer/垫圈	Carbon Steel+NBR/碳钢+NBR	37	Nut/螺母	304
7	O-Ring/O型圈	NBR or Silicone Rubber/NBR或硅胶	38	On/Off Indicator/开/管指示器	304
8	Piston Rod/活塞杆	35CrMo	39	O-Ring/O型圈	NBR or Silicone Rubber/NBR或硅胶
9	Hydraulic Cylinder/液压缸	Carbon Steel/碳钢	40	O-Ring/O型圈	NBR or Silicone Rubber/NBR或硅胶
10	O-Ring/O型圈	NBR or Silicone Rubber/NBR或硅胶	41	Cover/盖	QT450-10
11	Guide Ring/导向环	PTFE	42	Guide Ring/导向环	PTFE
12	O-Ring/O型圈	NBR or Silicone Rubber/NBR或硅胶	43	Spring Washer/弹簧垫圈	65Mn
13	End Cap/端盖	Carbon Steel/弹簧钢	44	Bolt/螺栓	35
14	Nut/螺母	Carbon Steel/弹簧钢	45	O-Ring/O型圈	NBR or Silicone Rubber/NBR或硅胶
15	Piston/活塞	QT450-10	46	Nut/螺母	35CrMo
16&17	O-Ring/O型圈	NBR or Silicone Rubber/NBR或硅胶	47	Sliding Bearing/滑动轴承	Composite Bearing/复合轴承
18	Adapter/隔板	Carbon Steel	48	Piston Rod/活塞杆	35CrMo
19	O-Ring/O型圈	NBR or Silicone Rubber/NBR或硅胶	49	Spring/弹簧	60Si2Mn
20	Guide Rod/导向杆	35CrMo	50	Nut/螺母	45
21	Guide Block/导向块	WCB	51	Spring Seat/弹簧座	Q235
22	Sliding Bearing/滑动轴承	Composite Bearing/复合轴承	52	O-Ring/O型圈	NBR or Silicone Rubber/NBR或硅胶
23	O-Ring/O型圈	NBR or Silicone Rubber/NBR或硅胶	53	Spring Case Cover/弹簧缸盖	QT450-10
24	Nut/螺母	2H	54	Bolt/螺栓	35
25	Spring Washer/弹簧垫圈	Spring Steel	55	Spring Washer/弹簧垫片	65Mn
26	Stud/双头螺柱	35CrMo	56	Bolt/螺栓	65CrMn
27	Spring Washer/弹簧垫圈	Spring Steel	57	Spring Case/弹簧缸	20
28	Nut/螺母	2H	58	O-Ring/O型圈	NBR or Silicone Rubber/NBR或硅胶
29	Bolt/螺栓	35	59	Manual Hydraulic Cylinder/手动液压缸	20
30	O-Ring/O型圈	NBR or Silicone Rubber/NBR或硅胶	60	Sliding Bearing/滑动轴承	Composite Bearing/复合轴承
31	Bearing/轴承	Cu	61	Piston Of Manual Hydraulic Case/手动液压缸活塞	20

扭矩表 - - 双作动 (液压缸) Torque Table - Double Acting (Hydraulic Actuators)

Nm

型号 / Model	传动模块最大允许扭矩 Max Torque of Drive Module	液压压力 Oil Pressure					
		70BAR		100BAR		135BAR	
		起始Start / 最终End	运行Run	起始Start / 最终End	运行Run	起始Start / 最终End	运行Run
NSF10-40DA-H	500	315	189	450	270	607	364
NSF12-40DA-H	1000	393	236	562	337	758	455
NSF12-50DA-H		756	454	1081	649	----	----
NSF14-60DA-H	2000	1364	818	1949	1169	2631	1578
NSF14-70DA-H		1994	1196	2849	1709	----	----
NSF16-70DA-H	4000	2347	1408	3354	2912	4527	2716
NSF16-80DA-H		3256	1953	4652	2791	----	----
NSF25-90DA-H	8000	4838	2902	6912	4147	9331	5598
NSF25-100DA-H		6219	3871	8885	5331	----	----
NSF25-110DA-H		7746	4648	----	----	----	----
NSF30-110DA-H	16000	8951	5371	12788	7673	17263	10358
NSF30-120DA-H		10995	6596	15708	9424	21205	12722
NSF30-130DA-H		13216	7929	18881	11328	----	----
NSF35-130DA-H	32000	15690	9414	22415	13449	30260	18156
NSF35-150DA-H		22023	13213	31462	18877	----	----
NSF35-170DA-H		29261	17556	----	----	----	----
NSF40-170DA-H	63000	32956	19773	47081	28248	63559	38135
NSF40-190DA-H		42843	25706	61205	36723	----	----
NSF40-220DA-H		59734	35840	----	----	----	----
NSF48-190DA-H	125000	49233	29539	70333	42199	94949	56969
NSF48-220DA-H		69104	41462	98720	59232	133272	79963
NSF48-245DA-H		87884	52730	125549	75329	----	----
NSF48-270DA-H		108684	65210	----	----	----	----
NSF60-245DA-H	250000	113246	67947	161780	97068	218403	131041
NSF60-270DA-H		141326	84795	201895	121136	272558	163533
NSF60-320DA-H		205664	1223398	293807	176284	----	----

扭矩表 - - 弹簧复位型 (液压70Bar) Torque Table - Spring Return Acting (Oil Pressure at 70Bar)

Nm

型号 / Model	传动模块最大允许扭矩 Max Torque of Drive Module	弹簧起点 Spring Break	弹簧运行 Spring Running	弹簧终点 Spring End	液压起点 Oil Start	液压运行 Oil Running	液压终点 Oil End
NSF10-40SR1-H	500	187	91	118	196	97	127
NSF10-50SR2-H		293	148	201	404	214	312
NSF10-60SR3-H		489	242	319	641	333	471
NSF12-60SR1-H	1000	526	267	364	747	374	501
NSF12-70SR2-H		818	407	541	1185	628	907
NSF14-70SR1-H	2000	1079	543	674	1321	682	953
NSF14-70SR2-H		1477	752	948	1765	902	1243
NSF14-100SR3-H		2291	1162	1458	2976	1530	2125
NSF16-90SR1-H	4000	2595	1310	1629	2622	1285	1662
NSF16-100SR2-H		3194	1637	2085	3313	1629	2117
NSF16-110SR3-H		3858	1954	2446	4224	2101	2781
NSF25-110SR1-H	8000	4955	2466	2999	4865	2447	2913
NSF25-120SR2-H		6326	3117	3726	5648	2735	3469
NSF25-140SR3-H		7628	3750	4720	8325	4168	5571
NSF30-140SR1-H	16000	9375	4712	5824	9916	4843	6228
NSF30-150SR2-H		11426	5741	7092	10931	5226	6489
NSF30-170SR3-H		14080	6952	8344	15343	7723	10403
NSF35-170SR1-H	32000	18185	8970	10752	18430	9261	12440
NSF35-190SR2-H		23864	11772	14109	23947	12048	16215
NSF35-220SR3-H		28953	14335	17288	33278	16764	22601
NSF40-220SR1-H	63000	35425	17702	21679	37799	18605	24218
NSF40-245SR2-H		47742	23883	29300	48480	23583	30131
NSF48-245SR1-H		57348	28690	35200	53961	25592	31346
NSF48-270SR2-H	125000	69602	34788	42618	64371	31211	39668
NSF48-290SR3-H		82680	41743	51976	73638	35219	43760
NSF60-270SR1-H		250000	95891	47761	58177	86201	41893
NSF60-320SR2-H	112369		57081	71764	133547	67250	90620

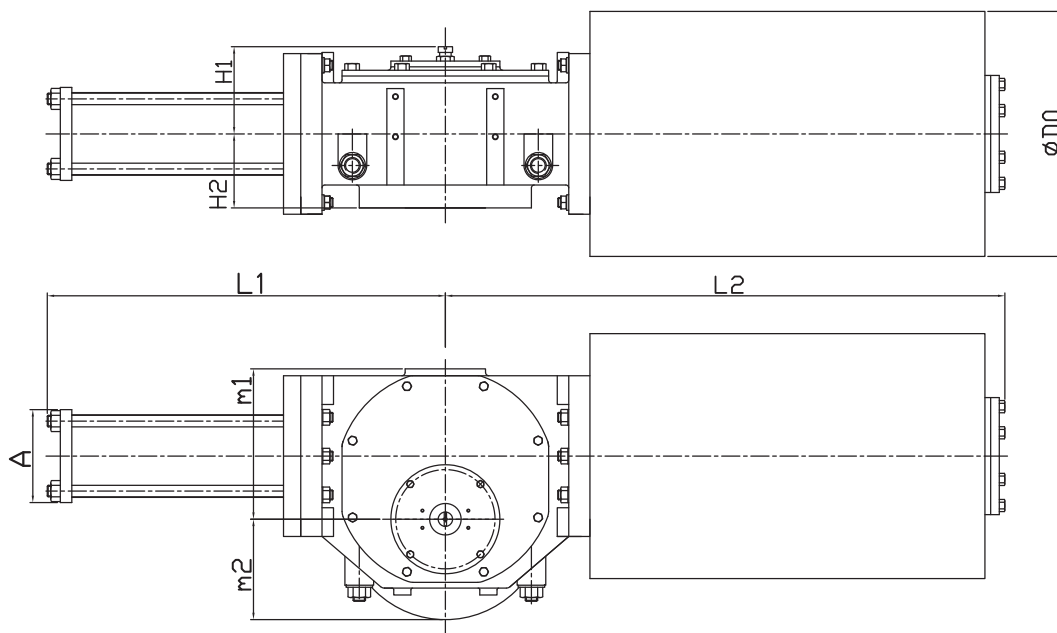
扭矩表 -- 弹簧复位型 (液压100Bar) Torque Table - Spring Return Acting (Oil Pressure at 100Bar)

型号 / Model	传动模块最大允许扭矩 Max Torque of Drive Module	弹簧起点 Spring Break	弹簧运行 Spring Running	弹簧终点 Spring End	液压起点 Oil Start	液压运行 Oil Running	液压终点 Oil End
NSF10-40SR1-H	500	187	91	118	331	178	262
NSF10-50SR2-H		293	148	201	664	370	571
NSF10-50SR3-H		489	242	319	545	276	375
NSF12-60SR1-H	1000	526	267	364	1262	683	1016
NSF12-60SR2-H		818	407	541	1175	621	897
NSF14-60SR1-H	2000	1079	543	674	1276	655	907
NSF14-70SR2-H		1477	752	948	1893	979	1371
NSF14-80SR3-H		2291	1162	1458	2397	1183	1547
NSF16-80SR1-H	4000	2595	1310	1629	2988	1505	2028
NSF16-90SR2-H		3194	1637	2085	3999	2041	2804
NSF16-100SR3-H		3858	1954	2446	5284	2736	3839
NSF25-100SR1-H	8000	4955	2466	2999	5994	3081	4275
NSF25-110SR2-H		6326	3117	3726	7296	3724	5117
NSF25-120SR3-H		7628	3750	4720	8581	4322	5827
NSF30-120SR1-H	16000	9375	4712	5824	10008	4898	6320
NSF30-130SR2-H		11426	5741	7092	11620	5639	7177
NSF30-150SR3-H		14080	6952	8344	17453	8990	12513
NSF35-150SR1-H	32000	18185	8970	10752	20631	10581	14641
NSF35-170SR2-H		23864	11772	14109	28345	14688	20614
NSF35-190SR3-H		28953	14335	17288	35399	18036	24722
NSF40-190SR1-H	63000	35425	17702	21679	39270	19488	25689
NSF40-220SR2-H		47742	23883	29300	58110	29365	39768
NSF48-220SR1-H	125000	57348	28690	35200	64797	32094	42182
NSF48-245SR2-H		69602	34788	42618	81236	41330	56533
NSF48-270SR3-H		82680	41743	51976	102123	52310	72245
NSF60-245SR1-H	250000	95891	47761	58177	101957	51169	68609
NSF60-270SR2-H		112369	57081	71764	129778	64988	89820

扭矩表 -- 弹簧复位型 (液压135Bar) Torque Table - Spring Return Acting (Oil Pressure at 135Bar)

型号 / Model	传动模块最大允许扭矩 Max Torque of Drive Module	弹簧起点 Spring Break	弹簧运行 Spring Running	弹簧终点 Spring End	液压起点 Oil Start	液压运行 Oil Running	液压终点 Oil End
NSF10-40SR1-H	500	187	91	118	488	272	420
NSF10-40SR2-H		293	148	201	406	216	308
NSF10-50SR3-H		489	242	319	848	458	678
NSF12-50SR1-H	1000	526	267	364	1006	346	760
NSF12-50SR2-H		818	407	541	919	468	641
NSF14-60SR1-H	2000	1079	543	674	1958	1064	1591
NSF14-60SR2-H		1477	752	948	1675	848	1154
NSF14-70SR3-H		2291	1162	1458	2356	1158	1506
NSF16-70SR1-H	4000	2595	1310	1629	2864	2105	1904
NSF16-80SR2-H		3194	1637	2085	4156	2135	2961
NSF16-80SR3-H		3858	1954	2446	3795	1844	2352
NSF25-90SR1-H	8000	4955	2466	2999	6440	3348	4721
NSF25-100SR2-H		6326	3117	3726	8225	4281	6046
NSF25-100SR3-H		7628	3750	4720	7122	3447	4367
NSF30-110SR1-H	16000	9375	4712	5824	11564	5832	7876
NSF30-120SR2-H		11426	5741	7092	13944	7034	9502
NSF30-130SR3-H		14080	6952	8344	16953	8690	12013
NSF35-130SR1-H	32000	18185	8970	10752	19429	9860	13440
NSF35-150SR2-H		23864	11772	14109	29018	15091	21286
NSF35-170SR3-H		28953	14335	17288	38398	19835	27721
NSF40-170SR1-H	63000	35425	17702	21679	41624	20900	28043
NSF40-190SR2-H		47742	23883	29300	55410	27741	37061
NSF48-190SR1-H	125000	57348	28690	35200	61026	29831	38411
NSF48-220SR2-H		69602	34788	42618	88958	45964	64256
NSF48-245SR3-H		82680	41743	51976	116351	60847	86473
NSF60-220SR1-H	250000	95891	47761	58177	114382	58802	81624
NSF60-245SR2-H		112369	57081	71764	146287	74894	103360

尺寸表 - - 弹簧复位型 Dimension- Spring Return Acting 液压缸 (Hydraulic Actuators)

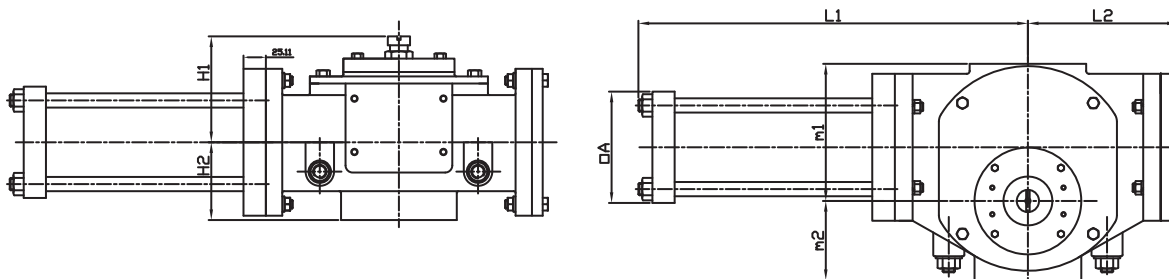


Unit:mm

Unit:mm

型号 Model	连接法兰 Connect Flange	L1	L2	H1	H2	D0	A	m1	m2	进气口 Pressure Port	型号 Model	连接法兰 Connect Flange	L1	L2	H1	H2	D0	A	m1	m2	进气口 Pressure Port														
NSF10-40SR1-H	F10	345	465	102	82	168	85	82	123	1/4"	NSF30-110SR1-H	F30	730	1165	163	139	426	155	175	262	3/8"														
NSF10-50SR2-H						168	92			NSF30-120SR1-H	426						170	3/8"																	
NSF10-60SR3-H						219	100			NSF30-140SR1-H	426						185	3/8"																	
NSF12-50SR1-H	F12	398	515	105	85	219	92	87	143	1/4"	NSF30-120SR2-H	F30	730	1165	163	139	508	170	175	262	3/8"														
NSF12-60SR1-H						219	100			NSF30-130SR2-H	508						180	3/8"																	
NSF12-50SR2-H						273	92			NSF30-150SR2-H	508						195	3/8"																	
NSF12-60SR2-H						273	100			NSF30-130SR3-H	508						180	3/8"																	
NSF12-70SR2-H	F14	455	619	114	87	273	110	89	155	1/4"	NSF30-150SR3-H	F35	855	1511	180	177	508	195	207.5	320	3/8"														
NSF14-60SR1-H						273	100			NSF30-170SR3-H	508						270	1/2"																	
NSF14-70SR1-H						273	110			NSF35-130SR1-H	508						180	3/8"																	
NSF14-60SR2-H						273	100			NSF35-150SR1-H	508						195	3/8"																	
NSF14-70SR2-H						273	110			NSF35-170SR1-H	508						270	1/2"																	
NSF14-70SR3-H	F16	530	775	119	98	325	110	105	180	1/4"	NSF35-150SR2-H	F40	990	1760	202	190	630	195	238	377	3/8"														
NSF14-80SR3-H						325	130			NSF35-170SR2-H	630						270	1/2"																	
NSF14-100SR3-H						325	145			3/8"	NSF35-190SR2-H						630	290			1/2"														
NSF16-70SR1-H						273	110			1/4"	NSF35-170SR3-H						630	270			1/2"														
NSF16-80SR1-H						273	130			3/8"	NSF35-190SR3-H						630	290			1/2"														
NSF16-90SR1-H						273	138			3/8"	NSF35-220SR3-H						630	320			1/2"														
NSF16-80SR2-H	F25	610	940	138	122	325	130	150	222	1/4"	NSF40-170SR1-H	F48	1150	2305	238	227	630	270	280	450	1/2"														
NSF16-90SR2-H						325	138			3/8"	NSF40-190SR1-H						630	290			1/2"														
NSF16-100SR2-H						325	145			3/8"	NSF40-220SR1-H						630	320			1/2"														
NSF16-80SR3-H						325	130			1/4"	NSF40-190SR2-H						630	290			1/2"														
NSF16-100SR3-H						325	145			3/8"	NSF40-220SR2-H						730	320			1/2"														
NSF16-110SR3-H						273	155			3/8"	NSF40-245SR2-H						730	345			1/2"														
NSF25-90SR1-H						325	110			3/8"	NSF48-190SR1-H						730	290			1/2"														
NSF25-100SR1-H	F25	610	940	138	122	325	130	150	222	3/8"	NSF48-220SR1-H	F48	1150	2305	238	227	730	320	280	450	1/2"														
NSF25-110SR1-H						325	138			3/8"	NSF48-245SR1-H						730	345			1/2"														
NSF25-100SR2-H						377	130			3/8"	NSF48-220SR2-H						730	320			1/2"														
NSF25-110SR2-H						377	138			3/8"	NSF48-245SR2-H						730	345			1/2"														
NSF25-120SR2-H						377	145			3/8"	NSF48-270SR2-H						730	370			1/2"														
NSF25-100SR3-H						426	130			3/8"	NSF48-245SR3-H						730	345			1/2"														
NSF25-120SR3-H						426	145			3/8"	NSF48-270SR3-H						730	370			1/2"														
NSF25-140SR3-H						426	155			3/8"	NSF48-290SR3-H						730	390			1/2"														
NSF60-245SR2-H						F60	1420			3100	240						225	730			345	343	545	1/2"	NSF60-220SR1-H	F60	1420	3100	240	225	730	320	343	545	1/2"
NSF60-270SR2-H																		730			370			1/2"	NSF60-245SR1-H						730	345			1/2"
NSF60-320SR2-H	730	420	1/2"	NSF60-270SR1-H	730			370	1/2"																										

尺寸表--双作动型 Dimension- Double Acting 液压缸 (Hydraulic Actuators)



型号 Model	连接法兰 Connect Flange	L1	L2	H1	H2	A	m2	m1	进气口 Pressure Port
NSF10-40DA-H	F10	345	124	102	82	85	82	123	1/4"
NSF12-40DA-H	F12	398	140	105	85	85	87	143	1/4"
NSF12-50DA-H						92			1/4"
NSF14-60DA-H	F14	455	170	114	87	100	89	155	1/4"
NSF14-70DA-H						110			1/4"
NSF16-70DA-H	F16	530	194	119	98	110	105	180	1/4"
NSF16-80DA-H						130			1/4"
NSF25-90DA-H	F25	610	226	128	122	110	150	222	3/8"
NSF25-100DA-H						130			3/8"
NSF25-110DA-H						138			3/8"
NSF30-110DA-H	F30	730	275	163	139	155	175	262	3/8"
NSF30-120DA-H						170			3/8"
NSF30-130DA-H						180			3/8"
NSF35-130DA-H	F35	855	332	180	177	180	207.5	320	3/8"
NSF35-150DA-H						195			3/8"
NSF35-170DA-H						270			1/2"
NSF40-170DA-H	F40	990	402	202	190	270	238	377	1/2"
NSF40-190DA-H						290			1/2"
NSF40-220DA-H						320			1/2"
NSF48-190DA-H	F48	1150	475	238	227	290	280	450	1/2"
NSF48-220DA-H						320			1/2"
NSF48-245DA-H						345			1/2"
NSF48-270DA-H						370			1/2"
NSF60-245DA-H	F60	1420	568	240	225	345	343	545	1/2"
NSF60-270DA-H						370			1/2"
NSF60-320DA-H						430			1/2"

Order Information

NSF30 - 110 - DA - 1 - H - HY - FC

- 1. 气缸尺寸 Actuator Size : NSF10-NSF60
- 2. 缸径范围 Cylinder Size : 40~320
- 3. 动作形式 Actuator Type : DA-Double Acting;SR1,SR2,SR3-Single Acting Type
- 4. 密封圈材料 Seal Material : 0-NBR Seal
 - 1-HNBR Seal(Low Temperature),
 - 2-Viton Seal(High Temperature)
- 5.H: 液压缸 Hydraulic Actuator
- 6.HY: 液压手动装置 Hydraulic Manual Override
- 7.故障位置(单作用型) Failure Position(Single Acting Type Only) :
 - 常闭FC-Failure Close,常开FO-Failure Open

IEC/ATEX/FM/CSA Approved 防爆认证



3/2 & 5/2 way in-line & Namur Mounted Solenoid Valve. 3/2及5/2管接式/板接式电磁阀

1. Spool valve structure 滑杆式结构
 2. Static seal design 静密封设计
 3. Material in aluminum alloy & 316SS 铝合金及316不锈钢阀体
 4. Encapsulated coil in NASS coil 本安防爆NASS线圈
 5. EExdIICT6 coil enclosure in aluminum alloy & 316SS. EExdIICT6隔爆线圈, 铝合金及316SS
- Approved by ATEX & NEPSI. ATEX及NEPSI认证

NEPSI Approved 防爆认证



Rotary & Linear Type E/P Positioner

1. The optional output signal: mechanical switch & 4-20mADC feedback
可选的输出信号: 机械式开关, 4-20mADC电流反馈信号
2. The optional accessories: air filter regulator or dome type indicator(only in IP66, rotary type)
可选配件: 空气过滤调节阀或圆顶型指示器(只用于IP6, 角行程型号)
3. Enclosure in IP66, EExdIIBT6 & EExdIICT6(Approved by NEPSI)
可提供IP66, EExdIIBT6及EExdIICT6隔爆(NEPSI认证)

ATEX / NEPSI Approved 防爆认证



316SS

30M/24hrs tested by the third party
由第三方在30M/24hrs条件下测试

Position Monitoring Switchbox 限位开关

1. Sensor Type开关类型:
Mechanical Type (2,3 or 4 x SPDT, DPDT)
机械式(2, 3或4只单极双头, 双极双头开关)
Proximity Type (Autonis, P+F, Truck...)
接近式(内置奥托尼克斯, 倍加福, 图克等品牌开关)
2. The optional output signal: 4-20mADC or 0-5K/10K ohm potentiometer
可提供4-20mADC电流输出或0-5/10K Ohm电位计输出
3. Housing material in aluminum alloy or 316SS
可提供铝合金或者316不锈钢壳体。
4. Enclosure in IP67, EExdIIBT6 & EExdIICT6 (Approved by ATEX & NEPSI)
可提供IP67, EExdIIBT6及EExdIICT6隔爆(ATEX & NEPSI认证)。
5. IP68 enclosure tested in 30M / 24HOURS
IP68在30M/24hrs下测试



Manual Override (Declutchable Wormgear Operator) MO 离合式手动操作器

1. Cast Iron/Aluminum Alloy Body 铸铁/铝合金本体:
The output torque: 300/ 700/ 1,200/ 2,000/ 3,100Nm
输出扭矩: 300/700/1,200/2,000/3,100Nm
2. Ductile Iron Body 球墨铸铁本体:
The output torque: 12,000/ 18,000/ 25,000/ 32,000/ 70,000Nm
输出扭矩: 12,000/18,000/25,000/32,000/ 70,000Nm
The actuator & valve connection complies with ISO5211 standard
执行器和阀门连接方式符合ISO5211标准



316SS

Air Filter Regulator 空气过滤减压阀

1. 5um filtration & high flow capacity
过滤精度5um&高流量
2. Panel Mounting is optional
可选盘面安装
3. 1/4" vented spring case is optional
可选1/4"排气弹簧盒
4. Housing material in aluminum alloy & 316SS
可提供铝合金及316不锈钢壳体

蝶阀 Butterfly Valves



中心线型软密封蝶阀 Center-Line Soft-Seated Butterfly Valve

1. Wafer/Lug Valve 对夹式 / 多耳式阀体:
Dimensions 口径: 2 ~ 56
Pressure Rating 压力等级: PN10-16/ANSI125-150LB /JIS10-16K
2. Double Flanged Valve 双法兰阀体:
Dimensions 口径: 2 ~ 48
Pressure Rating 压力等级: PN10-16/ANSI125-150LB
3. Wafer/Lug Valve 对夹式/多耳式阀体
(PTFE/PFA Lined 内衬):
Dimensions 口径: 2 ~ 24
Pressure Rating 压力等级: PN10-16/ANSI125-150LB
Operation: Hand-Lever, Wormgear Operator, Pneumatic and Hydraulic Actuators, Electric Actuators.
备注: 其口径, 压力等级, 材质可依照规范制作
操作方式: 手柄操作, 涡轮箱操作, 气缸, 液压缸, 电动执行器

三偏心硬密封蝶阀 Triple Offset Bi-Directional Metal Seat Butterfly Valve (Bubble Tight, Replaceable Disc Ring & Valve Seat)

高性能双偏心蝶阀 High Performance Double Eccentric Butterfly Valve



三偏心硬密封蝶阀 Triple Offset Metal-Seated Butterfly Valve

- Wafer/Lug/Double Flanged/Butt Weld Type
对夹式/多耳式/双法兰/对焊式阀体:
1. Dimensions 口径: 2 ~ 80
Pressure Rating 压力等级: PN10-25/ANSI150-300LB
 2. Dimensions 口径: 3 ~ 24
Pressure Rating 压力等级: PN40-100/ANSI600-1500LB
Operation: Wormgear Manual Override
Pneumatic and Hydraulic Actuators, Electric Actuators.
备注: 其它口径, 压力等级, 材质可依照规范制作
操作方式: 手动齿轮箱, 气缸, 液压缸, 电动执行器

高性能双偏心蝶阀 High Performance Double Eccentric Butterfly Valve

- Wafer/Lug/Double Flanged/Butt Weld Type
对夹式/多耳式/双法兰/对焊式阀体:
1. Dimensions 口径: 2 ~ 24
Pressure Rating 压力等级: PN10-25/ANSI150-300LB

球阀 Ball Valve



球阀 (浮动球结构) Ball Valve (Floating Ball)

1. Dimensions 口径: 1/4 - 4 ,1000WOG/2000WOG, Full Port, thread /Butt Weld/Socket Weld / Tube End Connection.
1/4 - 4 ,1000WOG/2000WOG, 全流量, 内螺纹/对焊/承插焊/卡套式连接
 2. Dimensions 口径: 1/2 - 8
 3. Pressure Rating 压力等级: PN10-PN40/ANSI150-300LB/ JIS10-20K
- Operation: Wormgear Manual Override, Pneumatic and Hydraulic Actuators, Electric Actuators.
备注: 其它口径, 压力等级, 材质可依照规范制作
操作方式: 手动齿轮箱, 气缸, 液压缸, 电动执行器

NUTORK CORP. 为一专业生产,气动执行器,电动执行器,气动执行器各式配套产品(各式机械式/感应式限位开关(回讯器),离合式手动操作器,定位器,电磁阀)。

Nutork Corp. 提供如下产品:

	<p>NK 系列铝合金齿排齿轮式气缸 : 17种型号,最大输出扭矩 9,337Nm(牛顿 - 米), ISO5211/DIN3337 标准阀门接口,VDI/VDE3845 (Namur)标准气缸配件接口, ± 5°行程调节,硬质阳极处理25~30um于气缸缸体及活塞,80um以上环氧树脂涂装于端盖,并符合ASTB117要求于盐雾测试1,000小时以上,气缸外表无任何腐蚀现象。</p> <p>PTFE喷涂,聚酯烤漆, 镀镍处理,陶瓷涂装以及环氧树脂烤漆供选购</p>
	<p>NSF 系列拨叉式气缸 : 最大输出扭矩263,894Nm(牛 顿 - 米)于6bar气源压力,缸体及箱体外壳抗腐蚀喷涂, VDI/VDE 3845 (Namur) 标准气缸配件接口, ± 10°行程调节, ISO5211标准阀门接口, 球铁本体内层涂装PTFE, 可选配手轮或油压装置为手动操作器。</p>
	<p>NTE 系列电动执行器 : 13种型号,最大输出扭矩 6,000Nm(牛 顿 - 米). 铝合金压铸外壳, 齿轮传动部件采用热处理合金钢, 蜗齿轮与传动轴一体化结构, ISO5211阀门接口(选配), 并可选配扭矩开关,30%安全系数,IP67防候等级,IP68供选。</p>
	<p>NTE-02L 角行程电动执行器: 输出扭矩25Nm,开关速度10Sec,可选电源24VAC,110VAC,220VAC;ABS外壳, 30%安全系数, IP65防候等级。</p>
	<p>NTQ 系列电动执行器 : 15 种型号,最大输出扭矩6,000Nm(牛 顿 - 米).离合式手动操作装置, 2只限位开关及1只扭矩开关于开及关的位置,除湿加热器,自锁功能,可选配现场控制单元,IP67及EExdIIBT4防爆外壳。</p>
	<p>各项气缸配件 : Nutork 提供全系列气缸配件,限位开关(回讯器), 电磁阀,电/气定位器,离合式手动操作器。</p>

NUTORK Corp.

USA Office:

5010 Wright RD. Suite 200B Stafford,
TX 77478

Tel: +1-281-222-0018

Email: nutork-usa@nutork.com

Website: www.nutork.com

上海亿栗机电设备有限公司:

上海市青浦区诸光路899弄10号

Tel: 021 - 59887103/59888463

021 - 59888436

Fax: 021 - 59887203

Email: nutork@nutork.com