

NUTORK 67CFR Air Filter Regulator

INTRODUCTION

The 67CFR Filter regulator is a pressure reducing supply regulator typically used for pneumatic and electro - pneumatic controllers, as well as other instrumentation equipment. The 67CFR provides constant, clean air or gas supply to devices requiring reduced pressures for control.

The additional maintenance or part information be required, please refer to the 67 CFR Instruction Manual.

SPECIFICATIONS

Temperature – Nitrile Standard

-40°C to 82°C (-40°F to 180°F)

Maximum Inlet Pressure:

250 psig (17.2 bar)

Maximum Outlet Pressure:

50 psi (3.4 bar) over outlet pressure setting

Outlet Pressure Ranges:

0 to 35 psig (0 to 2.4 bar)

0 to 60 psig (0 to 4.1 bar)

0 to 125 psig (0 to 8.6 bar)

Approximate shipping weight:

1 lb (0.45kg) - Aluminum Alloy Body

2.67 lb (1.20kg) - 316SS Body



67CFR Regulator
(vented to atmosphere)

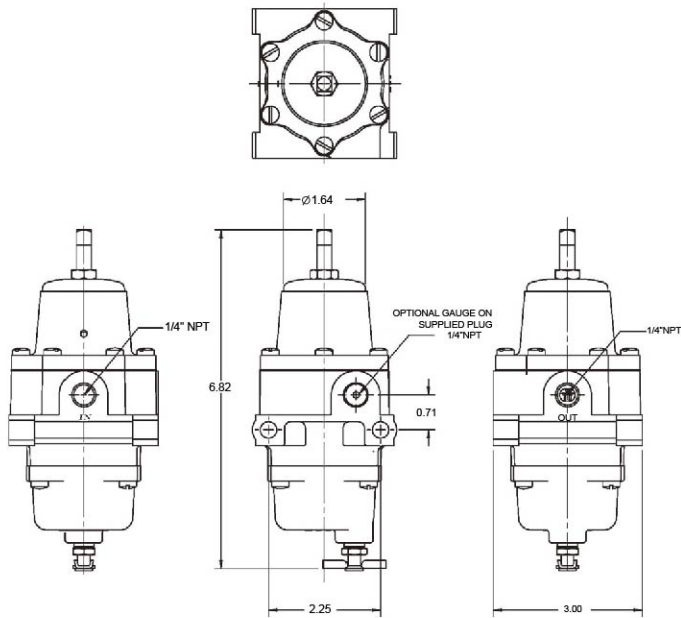


67CFR Regulator
(1/4" Vented Spring Case)

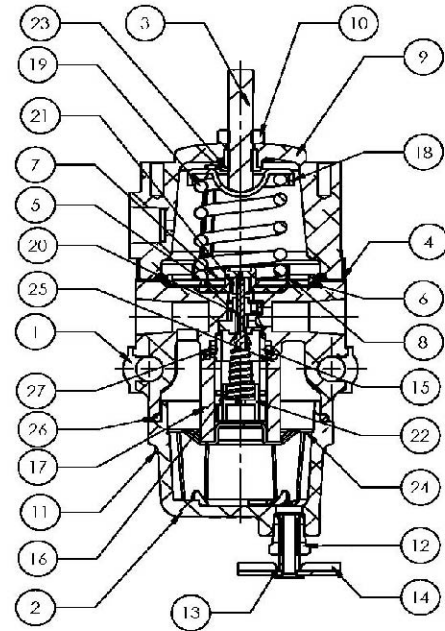


67CFR(SS Body), Panel Mount
(1/4" Vented Spring Case)

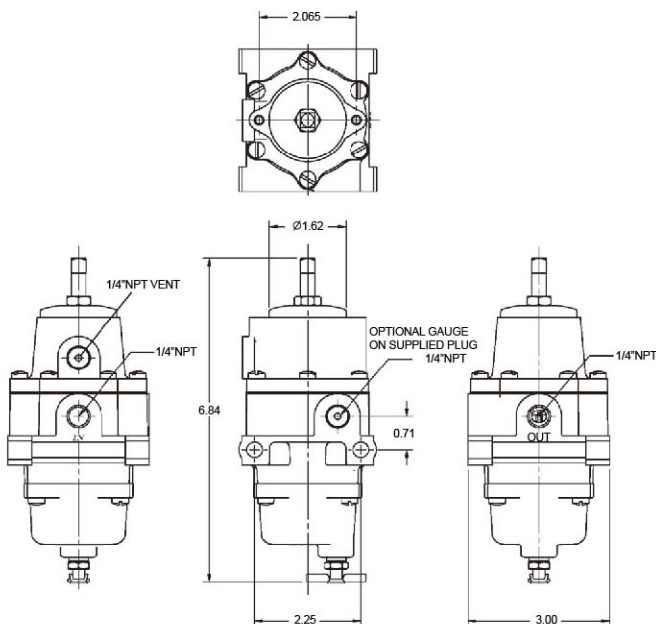
67 CFR Dimensions – Inches (vent to atmosphere)



67 CFR Assembly



67CFR Dimensions – Inches (panel mount, 1/4" vented spring case)



Item	Description	Qty
1	Body, Aluminum	1
2	Dripwell, Aluminum	1
3	Adjusting Screw	1
4*	Diaphragm ⁽¹⁾	1
5	Push Post	1
6*	Diaphragm Plate ⁽¹⁾	1
7*	Diaphragm Ret. Ring ⁽¹⁾	1
8	Lower Spring Seat	1
9	Spring Case – 1/4"NPT Vent	1
	Spring Case – Vento atmosphere (drilled)	1
10	Lock Nut	1
11	Flange Screw	10
12	Drain Valve Body	1
13	Drain Valve Plug	1
14	Drain Valve Handle	1
15	Valve Cartridge Body	1
16	Valve Spring	1
17*	Filter Element	1
18	Upper Spring Seat	1
19	Spring– 0 to 35 psig	1
	Spring– 0 to 60 psig	1
	Spring– 0 to 125 psig	1
20*	Valve Plug	1
21*	Soft Seat	1
22	Valve Retainer	1
23	Spring Case Insert	1
24	Filter Retainer	1
25	Filter Gasket	1
26	O- Ring	1
27	O- Ring	1
	⁽¹⁾ Items 4, 6 and 7 are included in Diaphragm Assembly	1
	*Included in 67CFR Repair Kit	1

NUTORK Corp.

NO.10, Lane 899, Zhuguang Road, Qingpu Area, Shanghai, China
 Tel:+86-21-5988-7103 Fax:+86-21-5988-7203
 E-mail:nutork@nutork.com Website:www.nutork.com